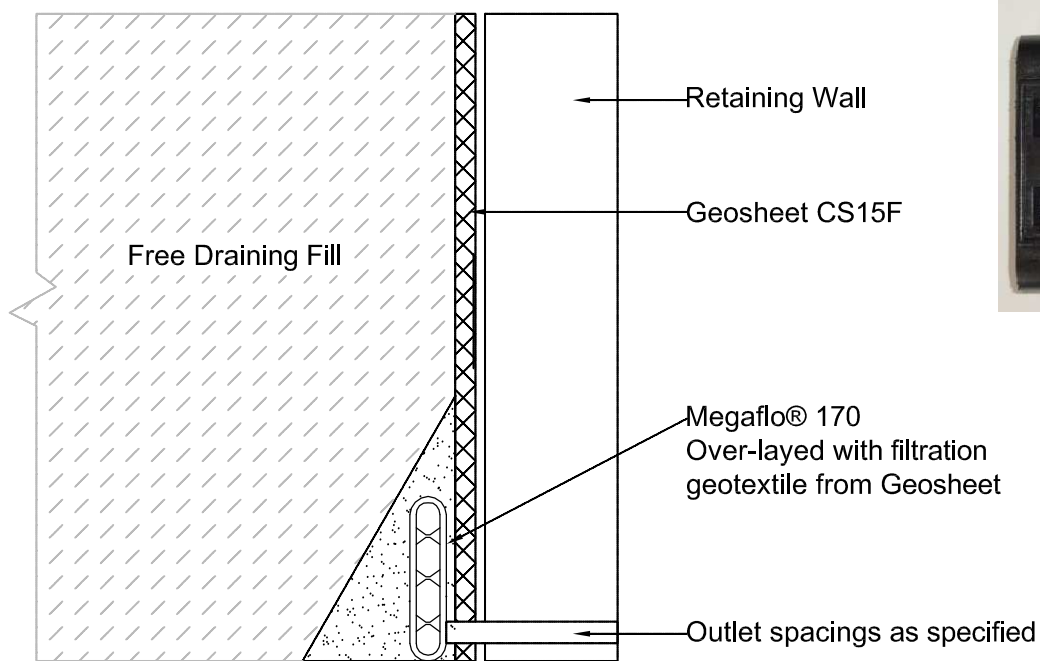


## RETAINING WALL DRAINAGE



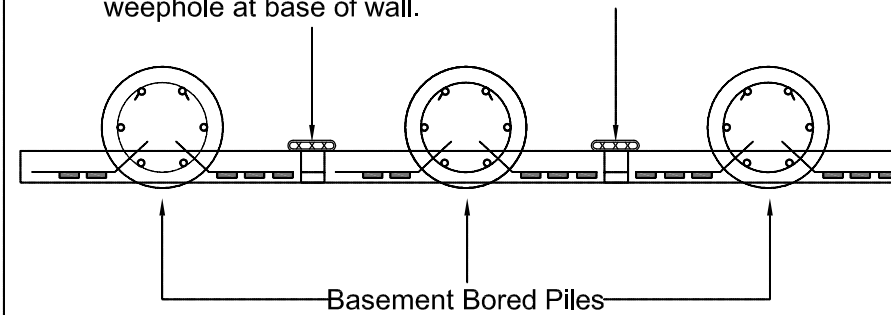
Megaflo Side Outlet

### INSTALLATION INSTRUCTIONS

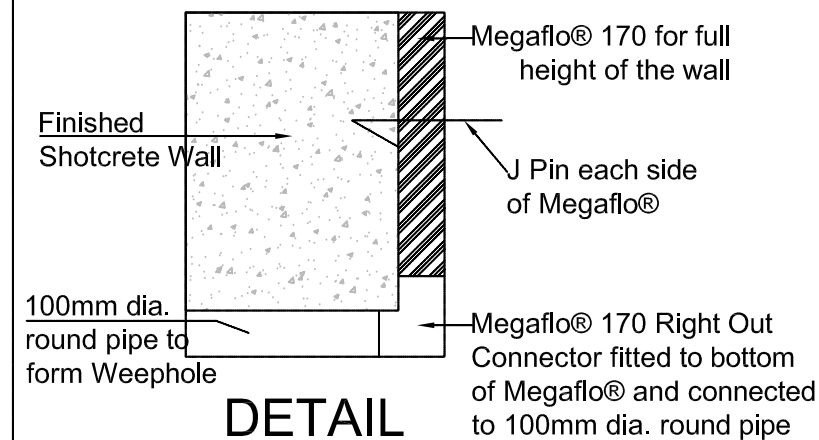
- Install Geosheet® either horizontally or vertically behind retaining wall.
- Fix Geosheet® to retaining wall by gluing or with an appropriate nailing system.
- Joining of Geosheet®, either vertically or horizontally, is achieved by overlapping the top core layer over the lower core layer by 75-100mm. The bottom geotextile is peeled back to allow the top core layer to be placed.
- The bottom geotextile is placed back over the top core layer and the top geotextile is lapped over the lower geotextile.
- At the top and side of the Geosheet® the geotextile must be wrapped over the core layer to prevent migration of the soil into drainage layer.
- At the base of the retaining wall the geotextile is peeled back approximately 250mm and the required length of Megaflo® 170 Flat Panel Piping Drainage System placed adjacent to the Geosheet® core layer.
- Water is drained from the Geosheet® and Megaflo® by either:
  - Weep holes cut through the retaining wall.
  - Running the Megaflo® to a free draining outlet such as manhole.
- If draining by cutting weep holes through retaining wall, standard Megaflo® End Caps are to be placed over each end of the Megaflo®.
- Specified backfill is to be placed against the Geosheet® taking care not to damage the Geosheet®.

## BASEMENT RETAINING WALL DRAINAGE

Megaflo® 170x40mm Flat Panel Piping Drainage System to be placed at midpoint of shotcrete wall between piles. Megaflo® shall run for full height of wall and outlet through weephole at base of wall.



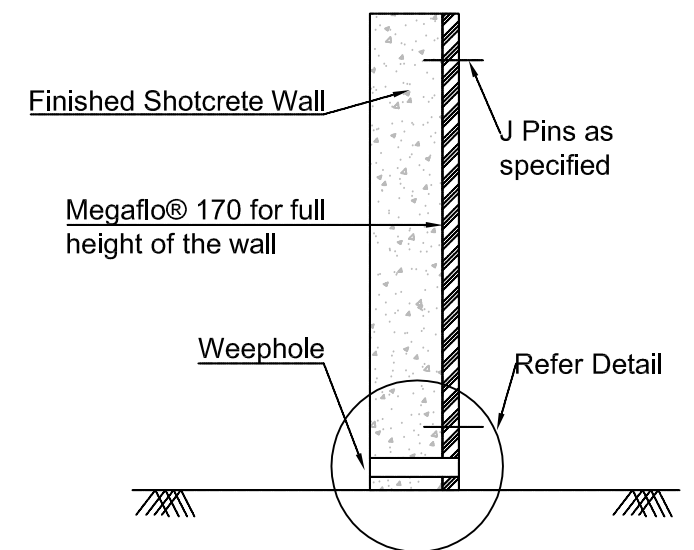
PLAN



DETAIL



Megaflo Right Out Connector



SECTION

### INSTALLATION INSTRUCTIONS

- Cut Megaflo® Flat Panel Piping Drainage System to required lengths to match height of wall.
- Affix a standard Megaflo® End Cap to Top end of pre-cut length.
- Megaflo® to be held in place by driving a metal J Pin through the top and bottom of each length and into the earth surface behind the Megaflo®.
- Attach a standard Megaflo® Right Out Connector to the bottom of the pre-cut length.
- Insert pre-cut length of 100mm diameter smooth bore round pipe into the standard Megaflo® Right Out Connector.
- Place and secure specified reinforcing mesh over entire surface.
- Spray shotcrete as specified.
- Cut 100mm diameter round pipe back to level of wall surface.